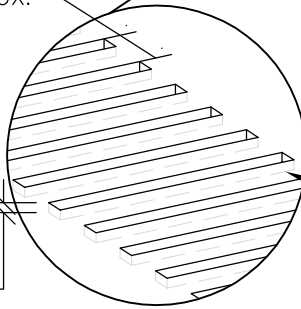


6" APPROX.

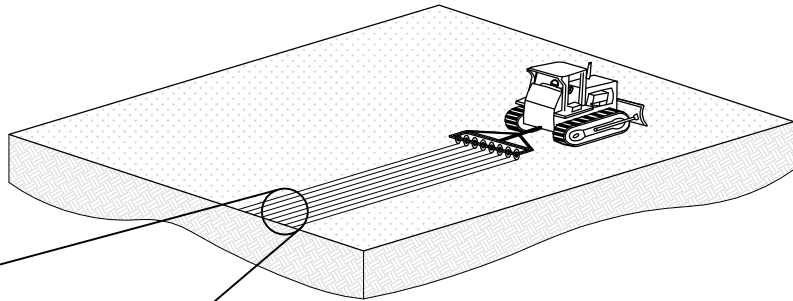


FURROWS APPROX. 2" TO 4" DEEP ON APPROX. 6" CENTERS WITH 6" MAXIMUM SPACING PARALLEL TO CONTOURS OF SLOPE

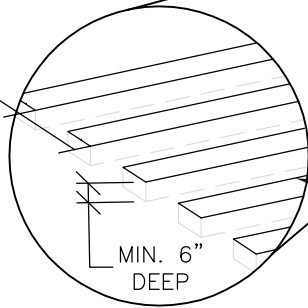
APPROX. 2"-4" DEEP

STEEP SLOPES (4:1 OR STEEPER)

(SLOPES STEEPER THEN 4:1 MAY BE SURFACE ROUGHENED IF THE CONTRACTOR FEELS THAT IT IS SAFE TO DO SO)



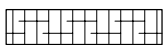
MAX 12"



ROUGHENED ROWS SHALL BE A MINIMUM OF 6 INCHES DEEP ON A MAXIMUM OF 12-INCH CENTERS.

SURFACE ROUGHENING IS REQUIRED ON ALL DISTURBED SOIL THAT HAS BEEN EXPOSED AND WHERE LEGITIMATE CONSTRUCTION ACTIVITIES HAVE NOT OCCURRED FOR 15 DAYS OR MORE.

LESSER SLOPES (4:1 OR LESS)



SURFACE ROUGHING

SURFACE ROUGHENING INSTALLATION NOTES

1. SEE CBMP PLAN FOR LOCATION(S) OF SURFACE ROUGHENING.
2. DISTURBED AREAS THAT REMAIN INACTIVE FOR 15 DAYS OR MORE MUST RECEIVE SURFACE ROUGHENING OR ANOTHER APPROVED BMP FROM THE SDECM. DETERMINATION OF JOB SITE INACTIVITY IS AT THE DISCRETION OF THE TOWN'S INSPECTOR.
3. FOR STEEP SLOPES (3:1 OR STEEPER), IT IS ACCEPTABLE TO "TRACK" THE SLOPES, ACCORDING TO THE CBMP DETAILS.
4. SCHEDULES FOR REQUIRING STABILIZATION MAY BE MODIFIED BY THE PERMITTEE TO ALLOW FOR SPECIAL CONSIDERATIONS SUCH AS STABILIZING ACCESS AREAS AND AREAS IN CLOSE PROXIMITY TO CONTINUING CONSTRUCTION.

SURFACE ROUGHENING INSPECTION AND MAINTENANCE NOTES

1. THE EROSION CONTROL SUPERVISOR SHALL PROACTIVELY INSPECT THE SURFACE ROUGHENING.